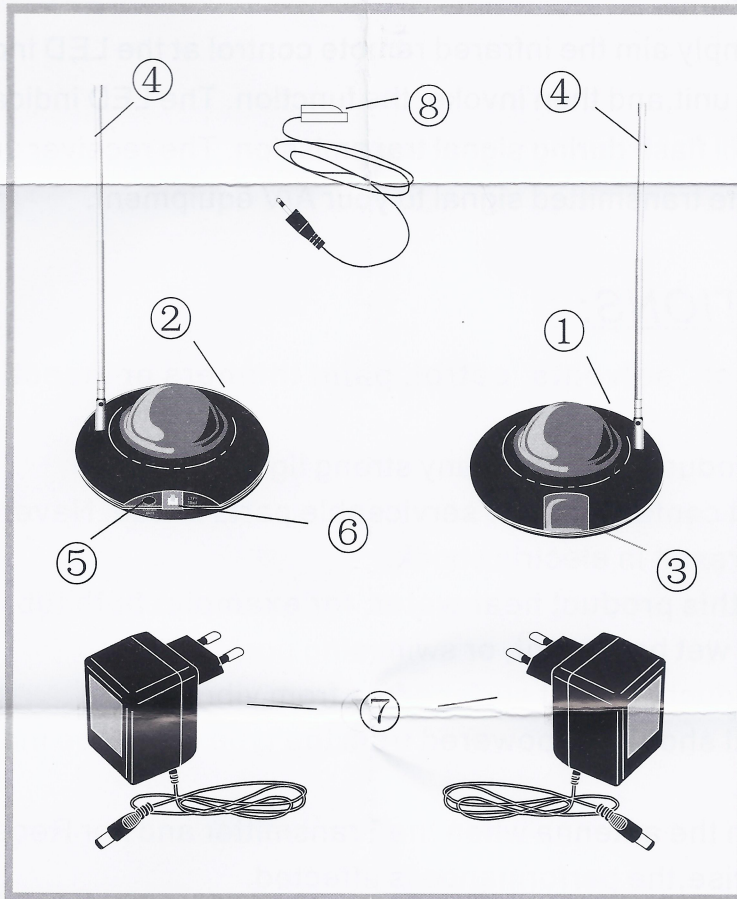


Wireless IR Remote Extender Operation Manual

PRODUCT DESCRIPTION:

- 1.- RF Transmitter.
- 2.- RF Receiver.
- 3.- LED indicator.
- 4.- Antenna.
- 5.- IR extender mouse jack.
- 6.- DC in 12V jack.
- 7.- AC Power adaptors.
- 8.- IR extender mouse.



Operating frequency	434 (MHz)
Power supply	230(V~)-50(Hz)
Consumption	1.8(W)
DC IN	12 (Vdc)

SETTING-UP THE UNITS:

Transmitter

Use in the room where you want to control your A/V equipment. Equipment in room 1 must be wired to the A/V equipment in room 2 that you want to control.

Receiver

Use in the room where A/V equipment should be controlled. Locate the LED indicator side of the unit on the front of the equipment that you want to control.

OPERATING THE UNITS:

Plug the AC adaptor of units into a wall socket. The LED indicator should light up.

Once you have set up the Transmission and Receiving units for the equipment you want to control, the product enables you to use your infrared remote control to work you for you TV, VCR, satellite receiver, CD or LD players, etc. from one room to another.

To operate, simply aim the infrared remote control at the LED indicator side of the transmitter unit, and then invoke the function. The LED indicator of the transmitter unit will flash during signal transmission. The receiver unit will receive and send out the transmitted signal to your A/V equipment.

PRECAUTIONS:

1. Do not use oil, solvents, petrol, paint thinners or insecticides on the product.
2. Keep this product away from any strong light.
3. This product contain no user serviceable parts inside. Never disassemble as this may result in electric shock.
4. Do not use this product near water, for example: bath tub, kitchen sink, laundry tub, wet basement, or swimming pool.
5. Use this product on a flat surface free from vibration.
6. This product should be powered from the type of source indicated on the rating level.
7. Do not touch the antenna when the Transmitter and / or Receiver unit is in use. Otherwise, the performance is affected.
8. Remove the AC power plug from the wall socket under the following conditions:
 - a) Whenever the plug is damaged.
 - b) The product has been exposed to water.
 - c) If the product does not operate normally.
 - d) If the product has been broken.