

**Instructions:**

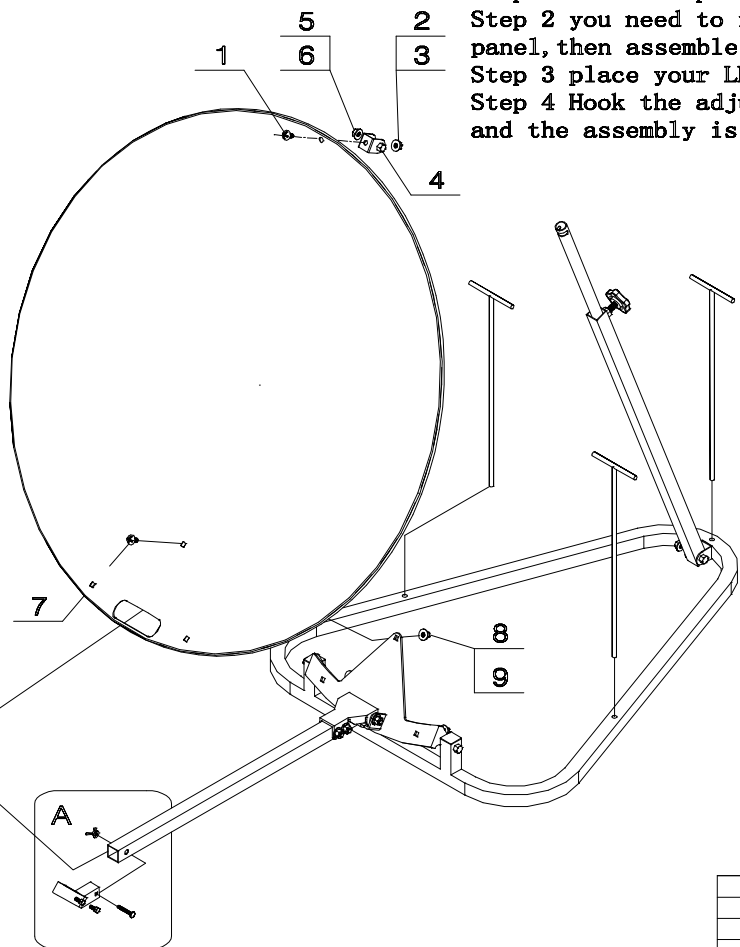
Certain parts of this dish have been pre-assembled for you in the factory, this is the reason some of the parts on this diagram are not numbered.

Step 1 assemble parts in numbered order form 1 thru to 6.

Step 2 you need to feed the LNB arm thru the opening at the base of the dish panel, then assemble parts 7 thru to 9.

Step 3 place your LNB in the LNB holder and then assemble parts 10 thru to 13.

Step 4 Hook the adjustable elevation arm onto part number 4 at the top of the dish and the assembly is complete.



13	ST4.2x16 Self Tapping Screw	2
12	M6 Wing Nut	1
11	M6 Washer	1
10	M6x40MM Square Neck Bolt	1
9	M6 Nut	3
8	M6 Washer	3
7	M6x12MM Square Neck Bolt	3
6	M6 Nut	1
5	M6 Washer	1
4	M6x30MM Bolt	1
3	M6 Nut	1
2	M6 Washer	1
1	M6x12MM Bolt	1
NO	Parts Description	Q'TY

				Item #5578 75CM Folding Dish Assembly Instructions				Material:
Tag	Place a few	Change the file no.	Signature	Date	Pattern marker	Number	Weight	
Design			Standardized					
Proofreading			Review and approval					
Audit								
Process			Date		Total	Page	The first	Page